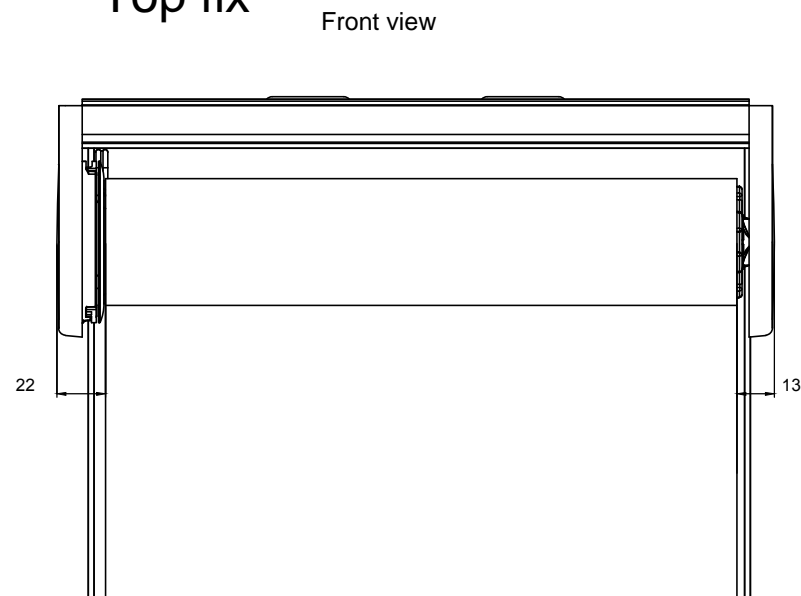
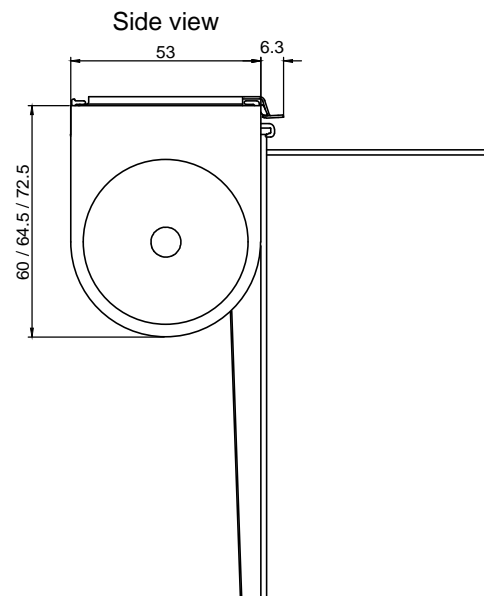
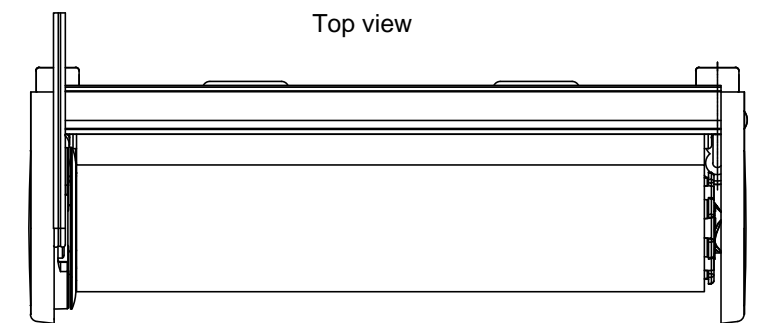
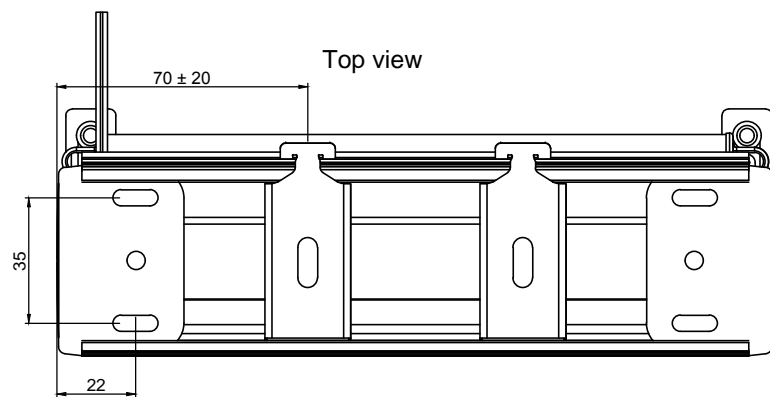
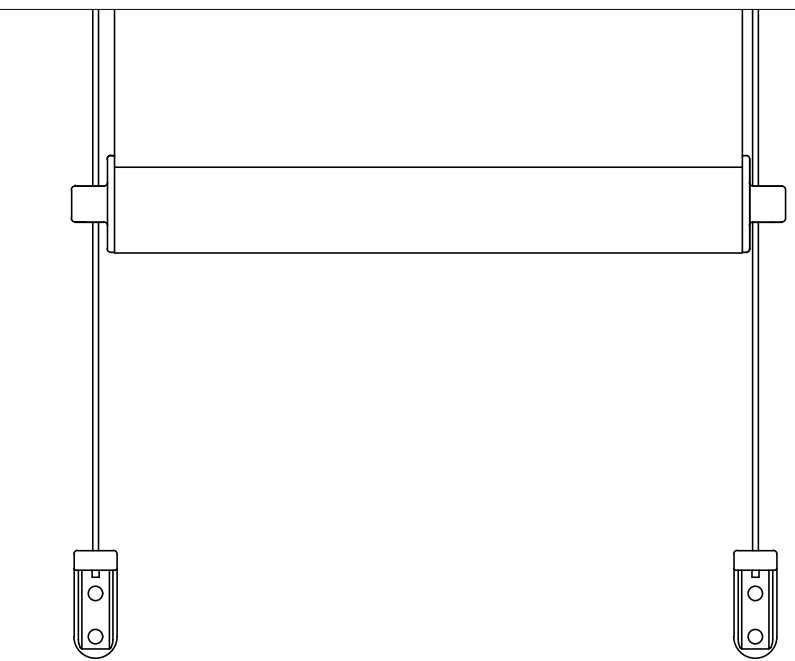
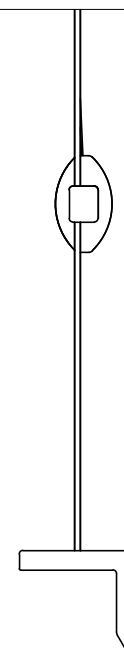
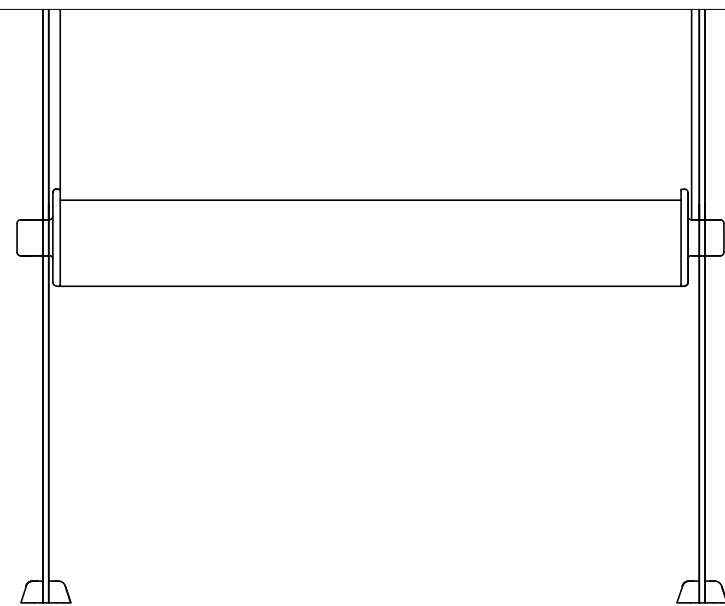
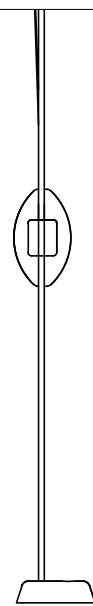
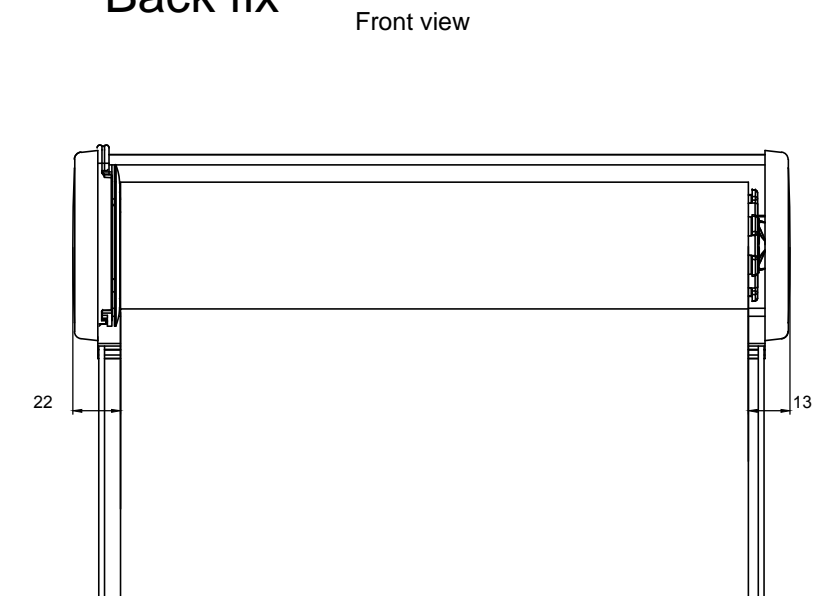
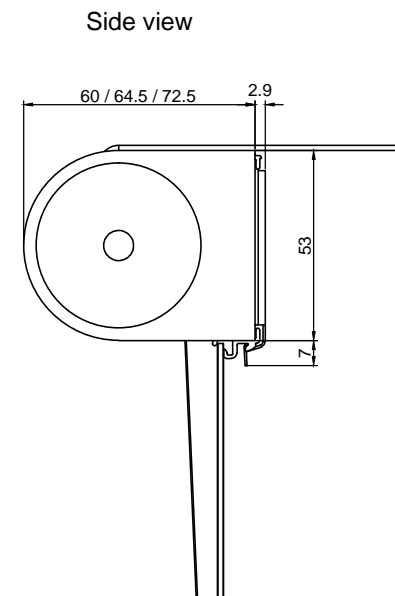


Top fix



Back fix



HunterDouglas

HUNTER DOUGLAS EUROPE B.V. Architectural Projects

Window Coverings | Ceilings | Sun Control | Façades

Format: A3 | Scale: 1 : 2 | Date: 10-4-2015

Description: 426 EOS S motorisé guidé avec profil de montage face/plafond

Product: Roller Blind EOS 500

Series: 5-420

Drawing number: EOS 5-426 + guiding

Revision: 00