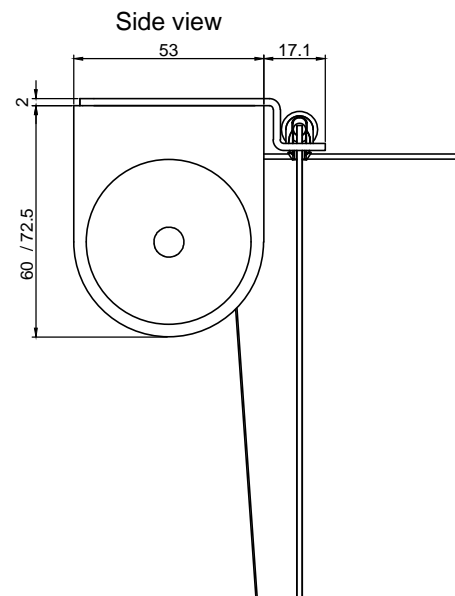
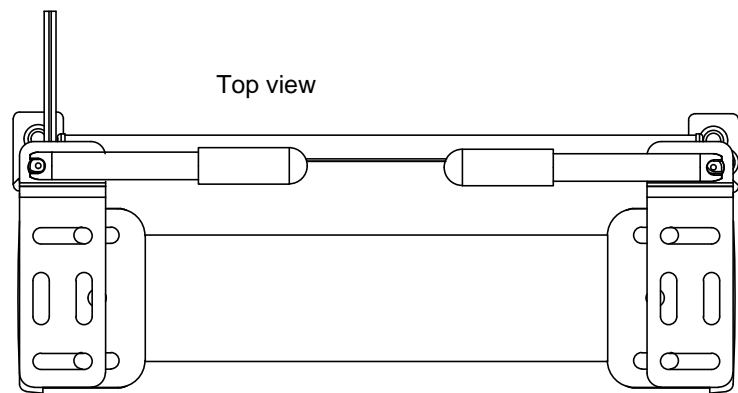
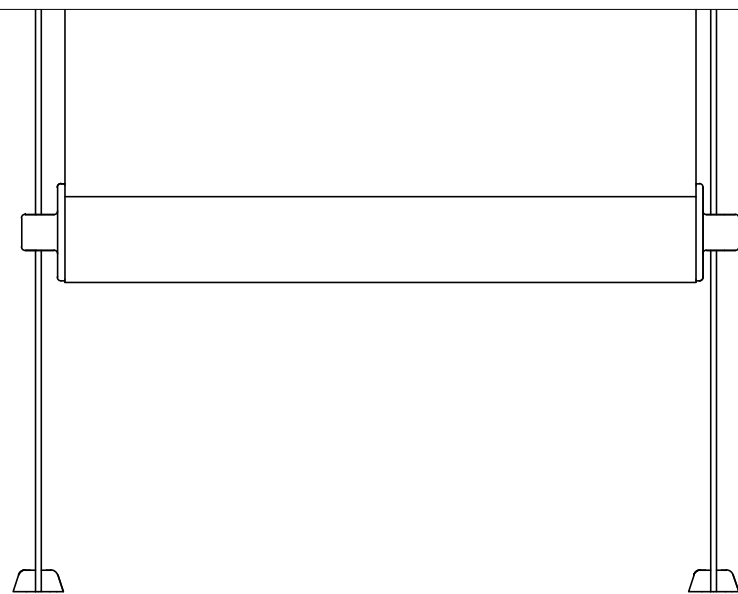
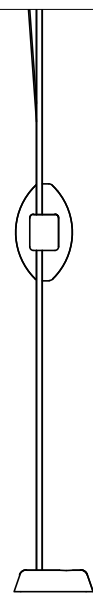
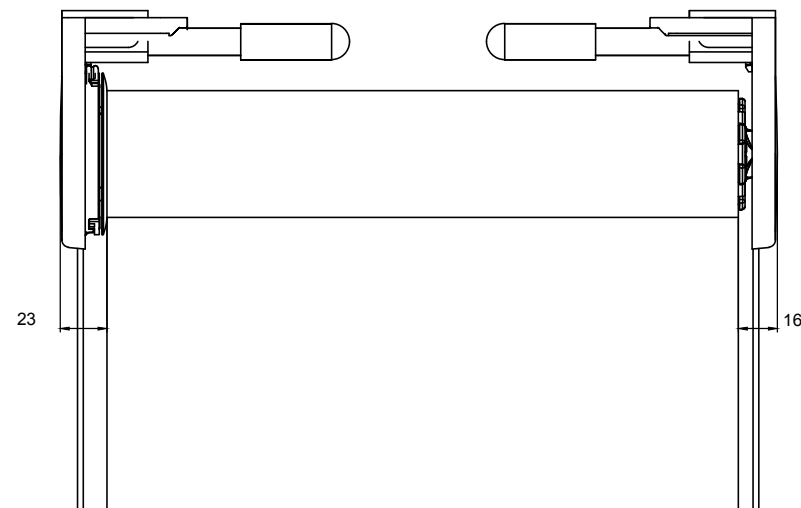


Top fix

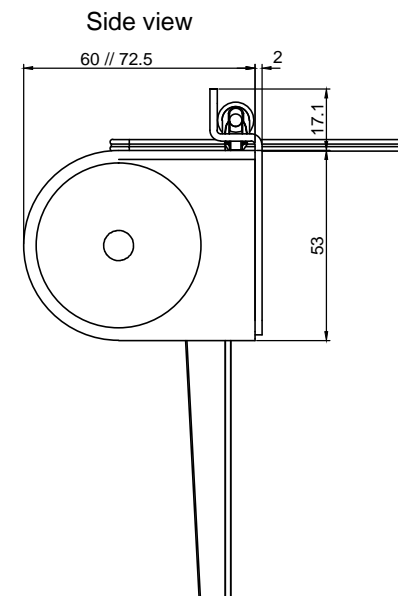


Front view

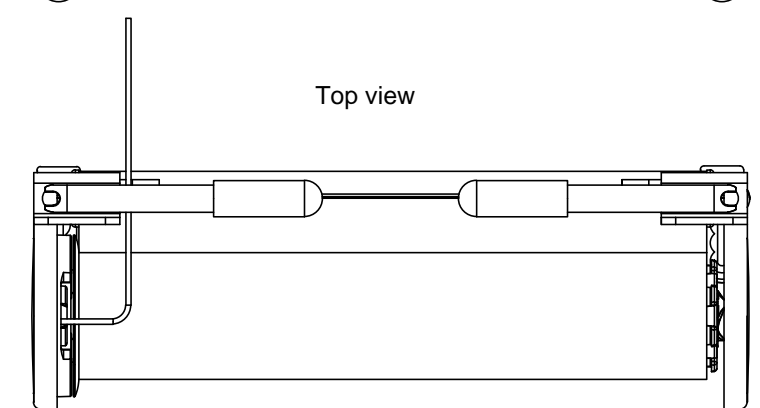
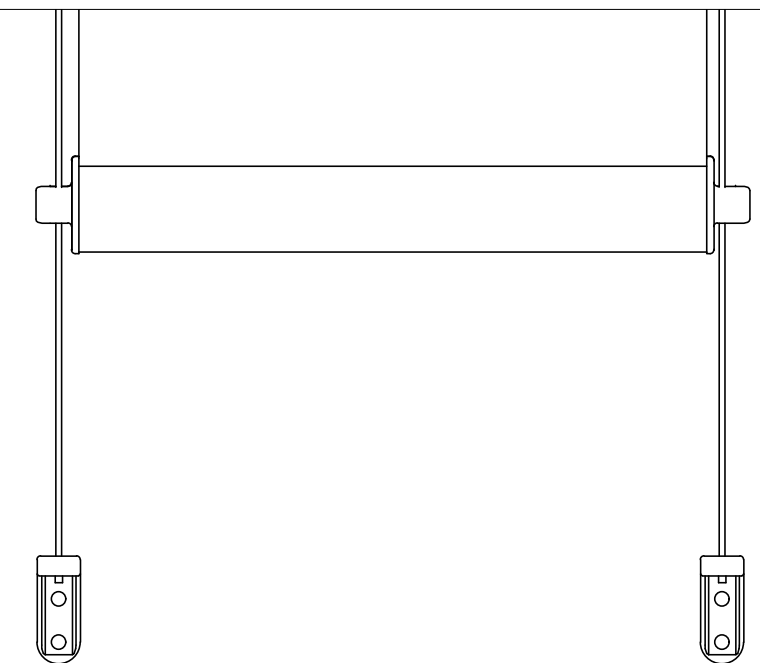
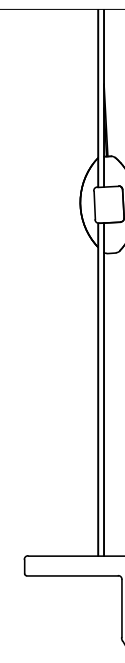
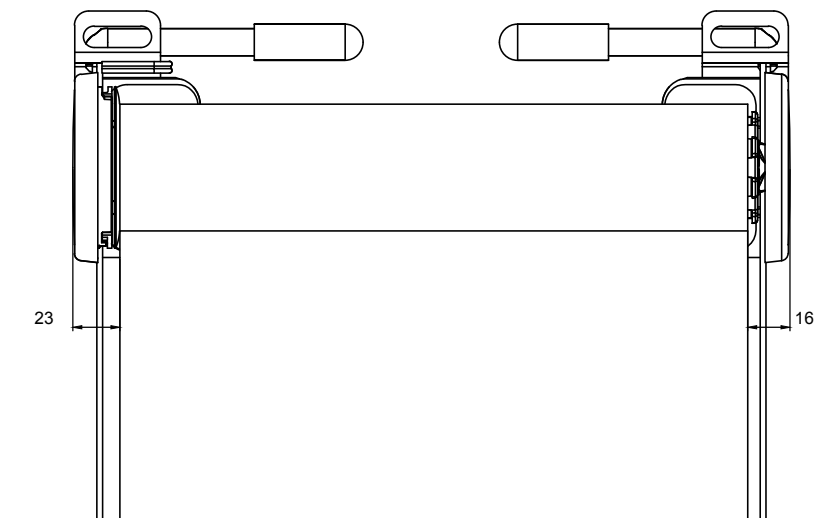


Top view

Back fix



Front view



Top view

HunterDouglas

HUNTER DOUGLAS EUROPE B.V. Architectural Projects

Window Coverings | Ceilings | Sun Control | Façades

Format: A3 | Scale: 1 : 2 | Date: 10-4-2015

Description: 416 EOS S motorisé guidé face/plafond

Product: Roller Blind EOS 500

Series: 5-410

Drawing number: EOS 5-416 + guiding

Revision: 00