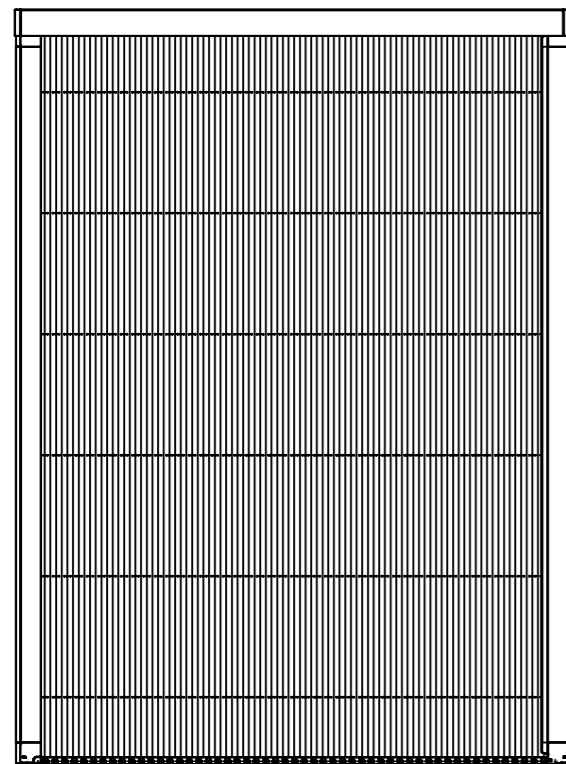
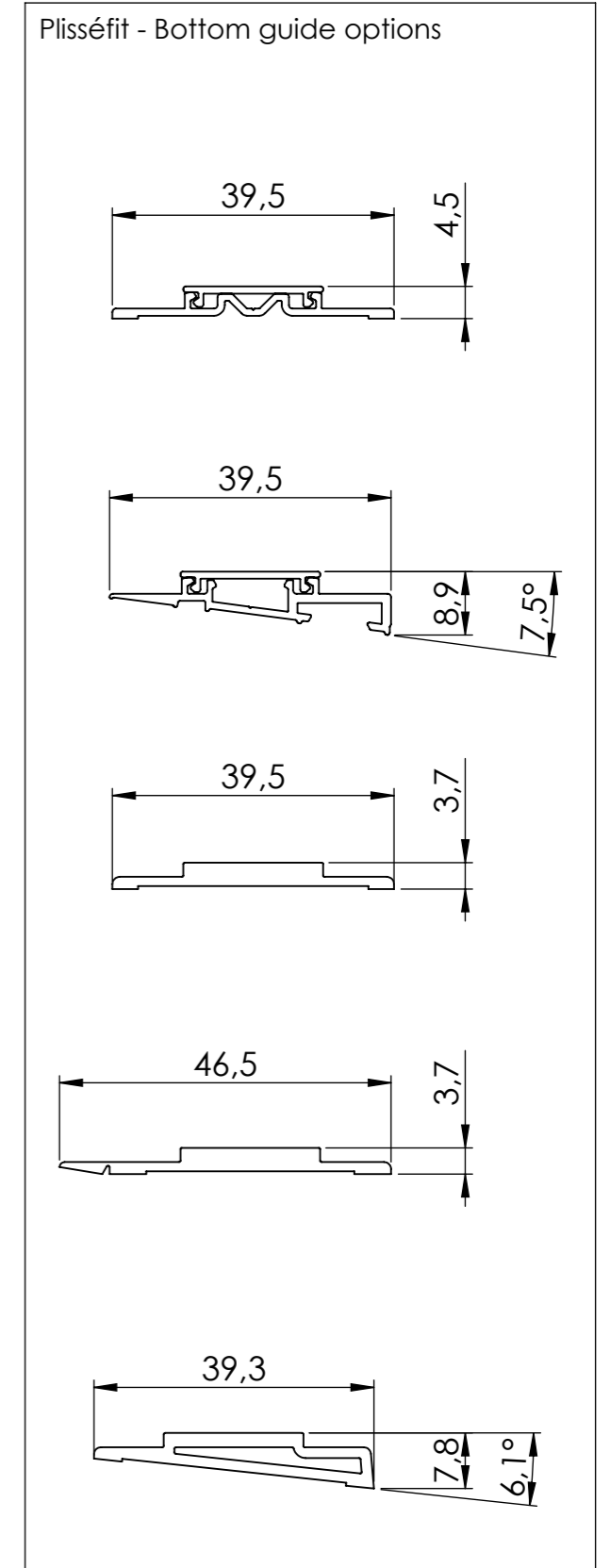
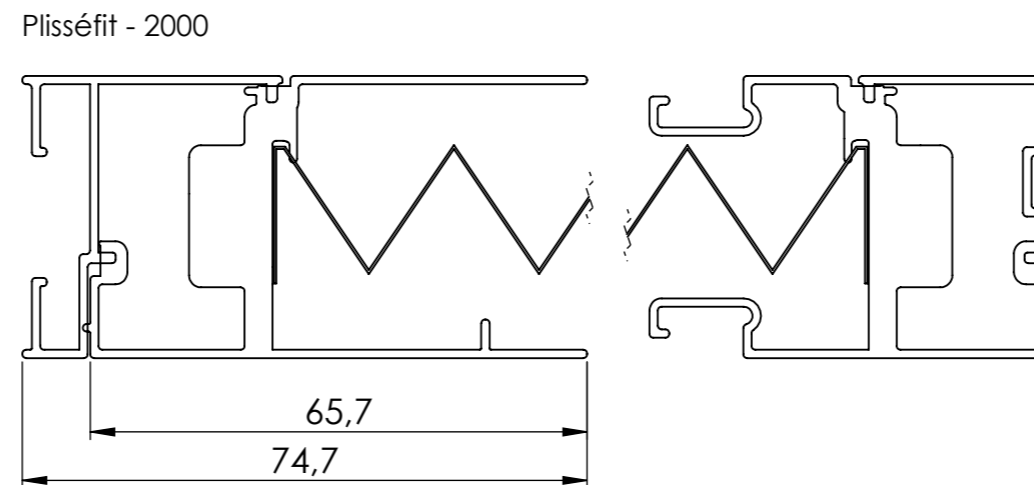
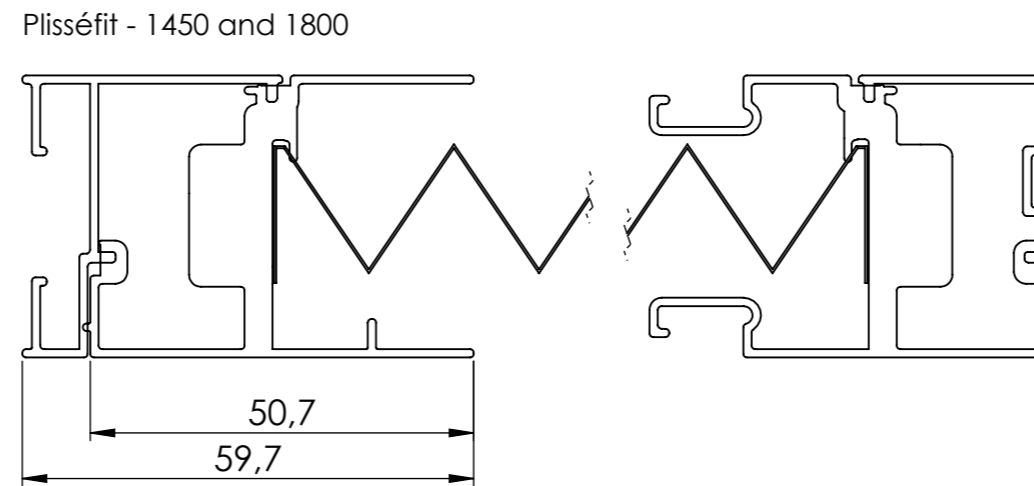
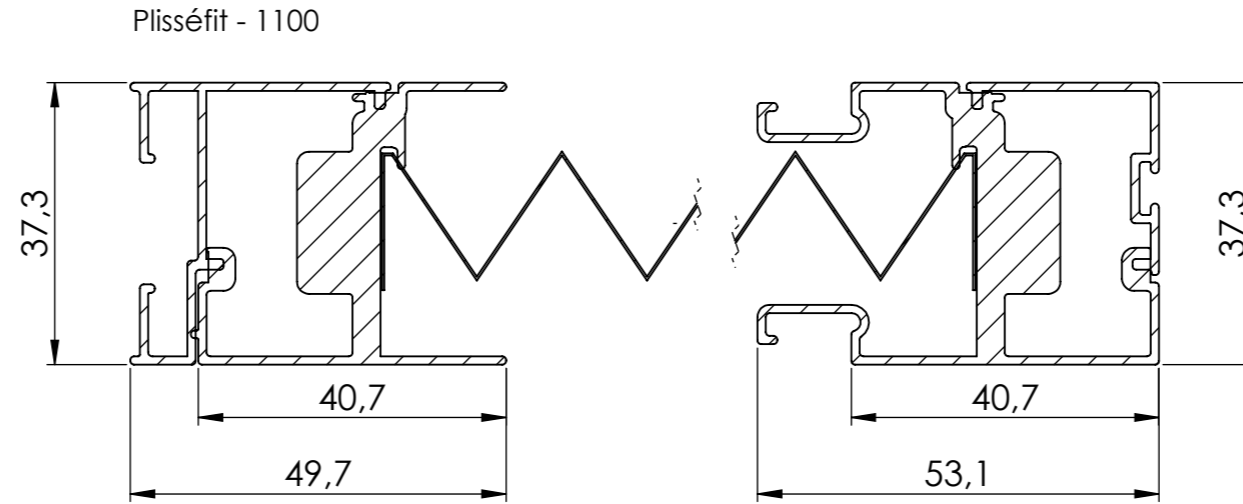
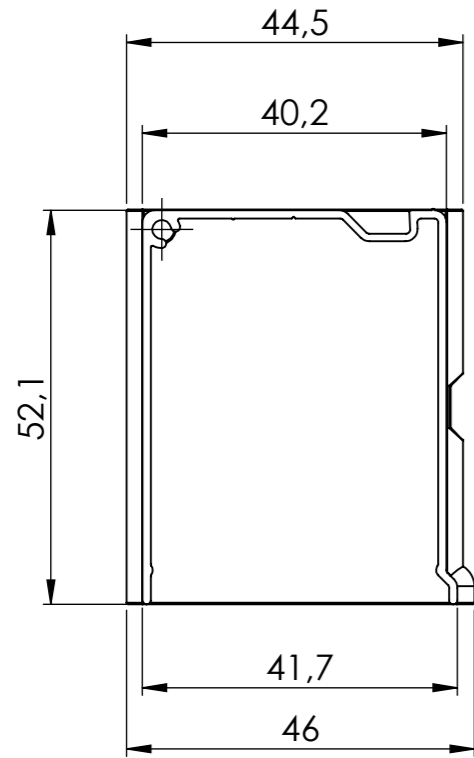


Plisséfit - Mounted inside the frame/wall

# filtersun

The information contained in this drawing is the sole property of Unilux B.V. Any reproduction in part or as a whole without the written permission of Unilux B.V. is prohibited.

PRODUCT GROUP:	DRAWN BY:	DATE:	UNIT:	SCALE:	REVISION:
MP41	MS		mm	1:1	



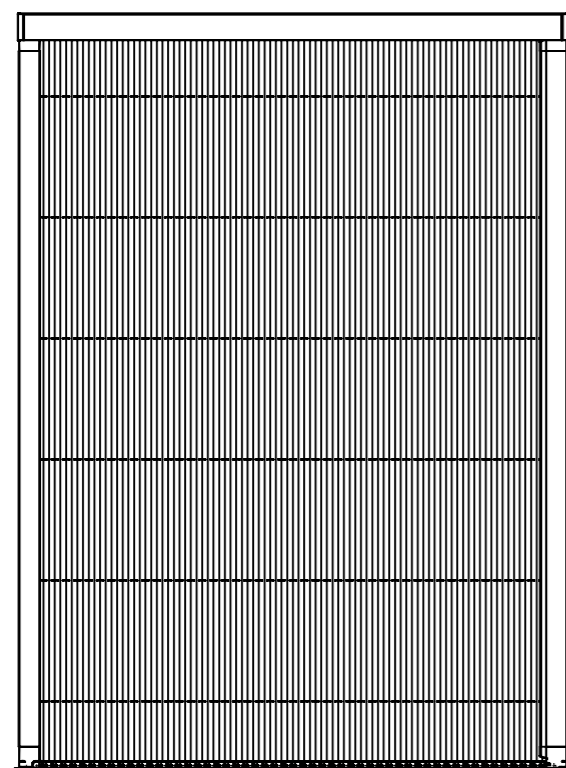
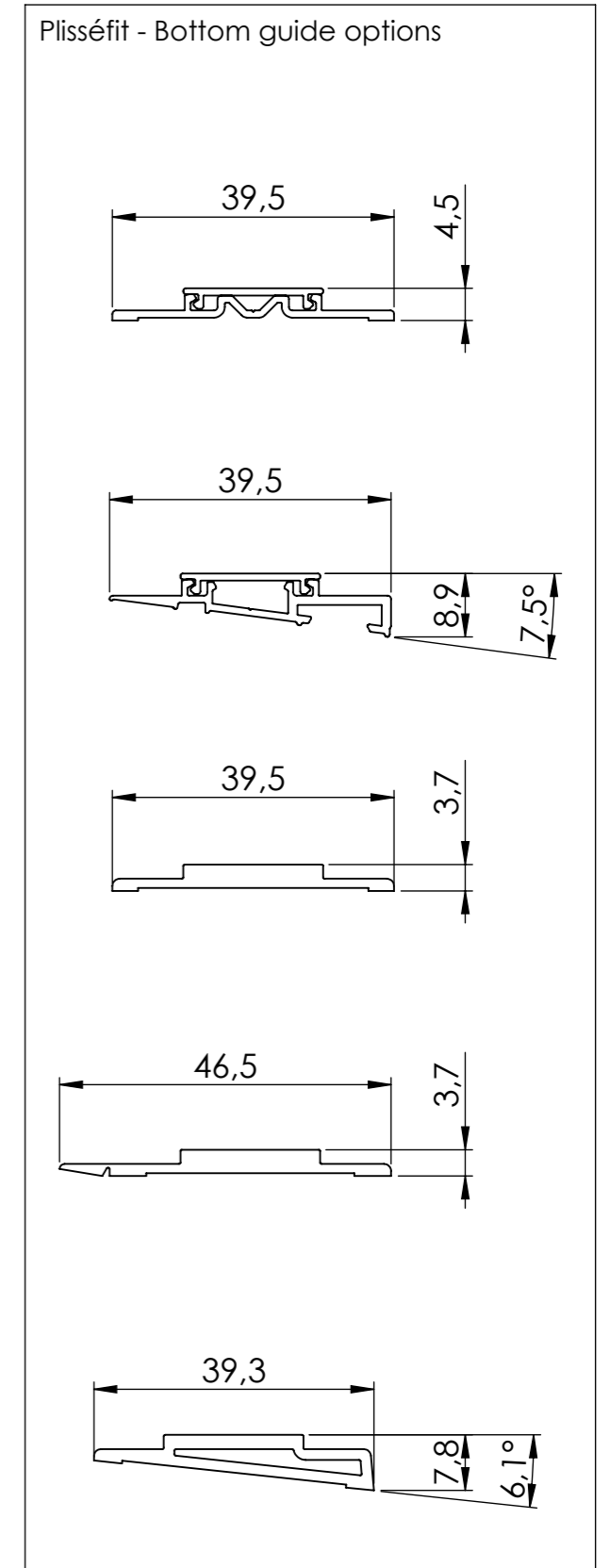
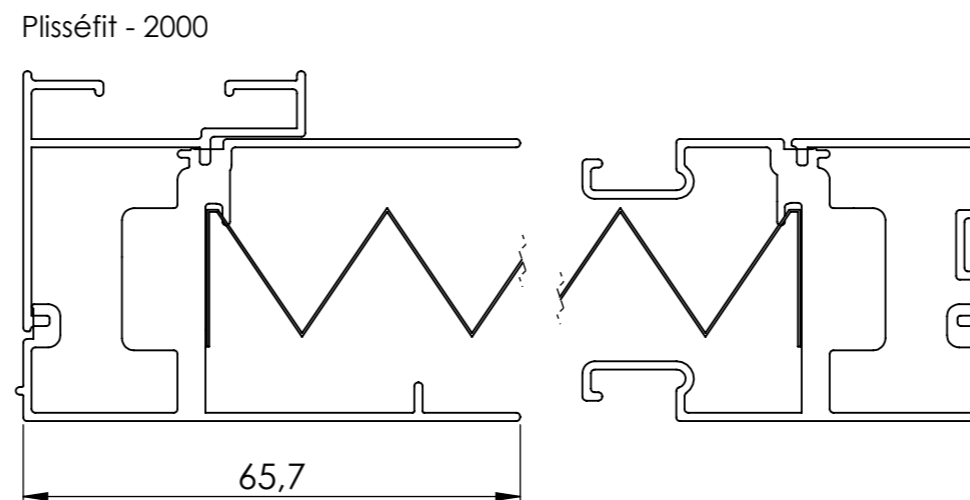
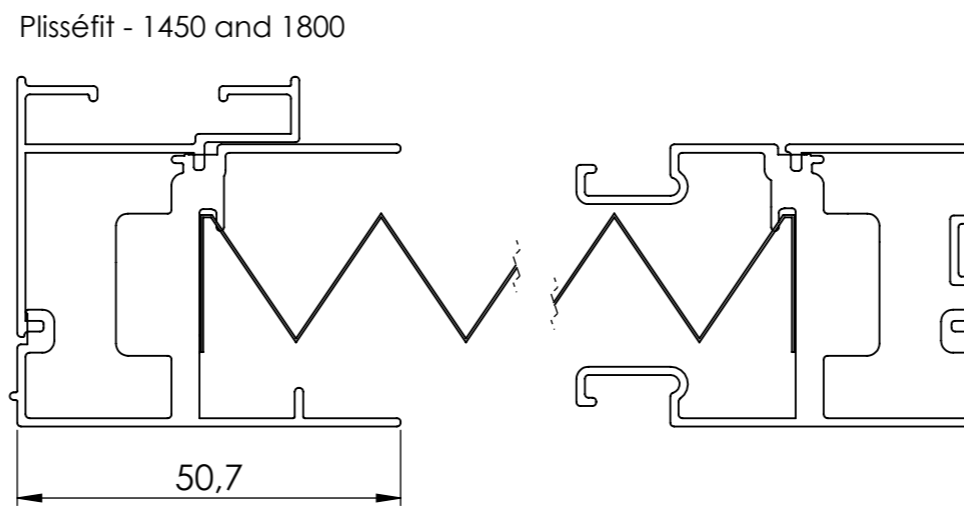
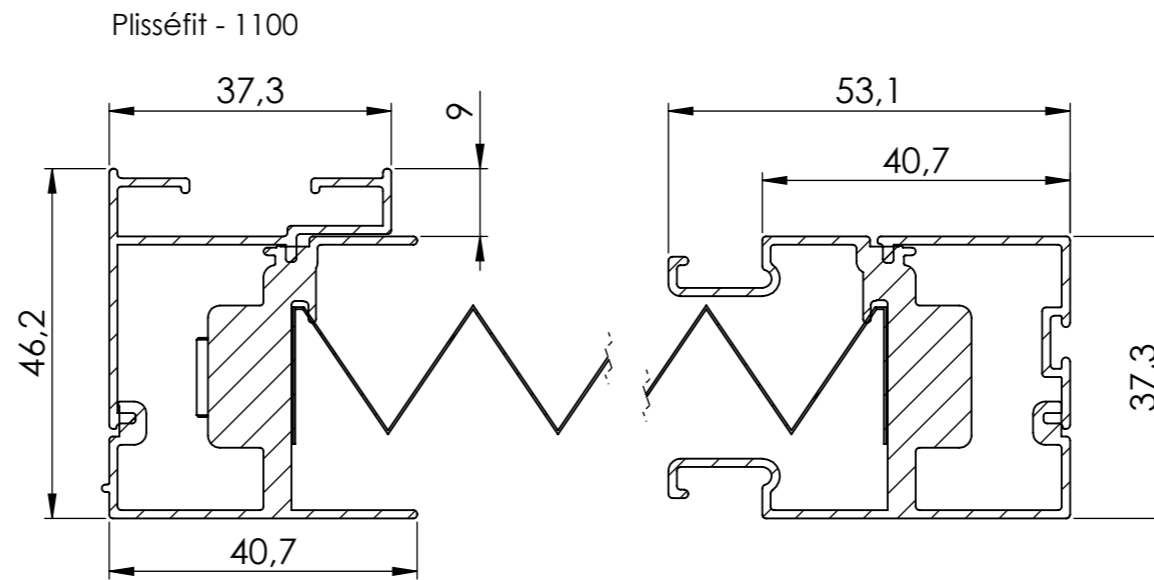
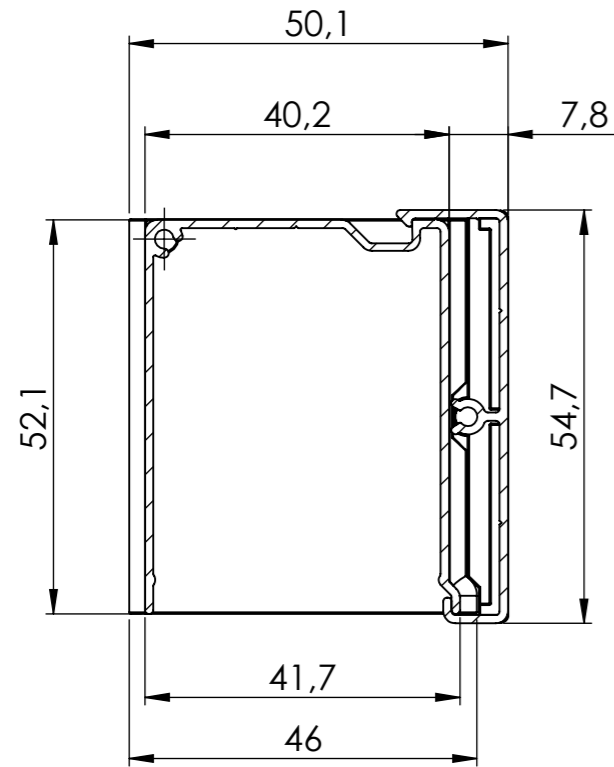
The information contained in this drawing is the sole property of Unilux B.V. Any reproduction in part or as a whole without the written permission of Unilux B.V. is prohibited.

Plisséfit - Mounted on the frame/wall

# filtersun

The information contained in this drawing is the sole property of Unilux B.V. Any reproduction in part or as a whole without the written permission of Unilux B.V. is prohibited.

PRODUCT GROUP:	DRAWN BY:	DATE:	UNIT:	SCALE:	REVISION:
MP41	MS		mm	1:1	



The information contained in this drawing is the sole property of Unilux B.V. Any reproduction in part or as a whole without the written permission of Unilux B.V. is prohibited.